

# CASE

CONSTRUCTION

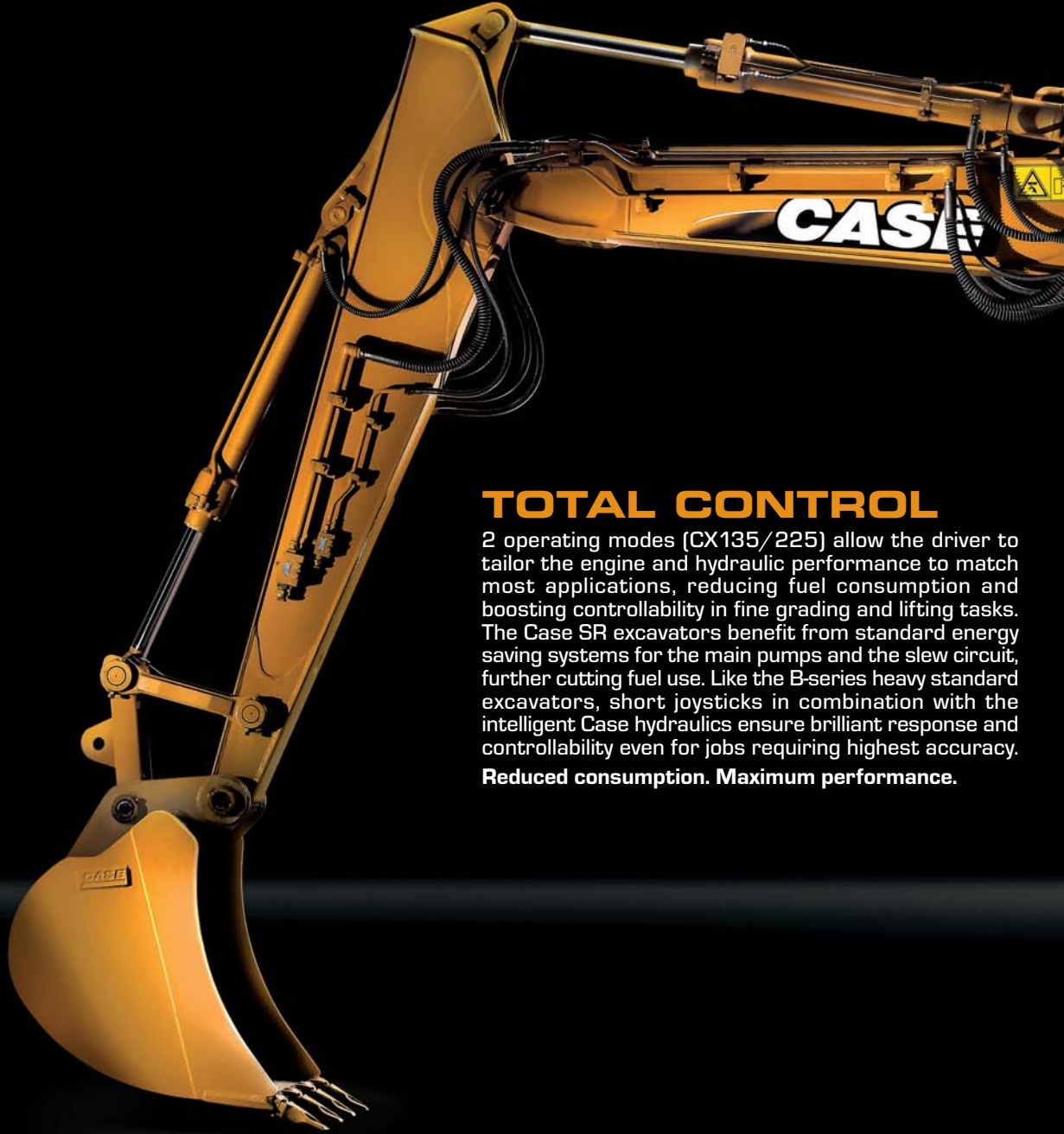
## HYDRAULIC EXCAVATORS CX75SR Tier 3 - CX135SR Tier 3 CX225SR Tier 3



	<b>CX75SR</b>	<b>CX135SR</b>	<b>CX225SR</b>
Engine Horsepower	40 kW - 54 hp	70.9 kW - 95 hp	114.4 kW - 155 hp
Operating weight (max.)	7.9 - 8.45 t	13.4 - 14.8 t	23.4 - 25 t
Bucket capacity	0.11 m <sup>3</sup> to 0.36 m <sup>3</sup>	0.2 m <sup>3</sup> to 0.74 m <sup>3</sup>	0.45 m <sup>3</sup> to 1.42 m <sup>3</sup>

## POWERFUL PERFORMER

The Case Short Radius Excavators 75SR, 135SR and 225SR are powered by a compact four cylinder Tier 3 engine providing excellent power to meet various applications. Electronically-controlled, the common rail engines are equipped with combustion optimizing engines, contributing to a reduction in fuel consumption and reduced emissions, whilst the CX75SR already meets the Tier 4 stage 1 compliance. In combination with lower engine speeds, this gives reduced downtime for refuelling, resulting in increased productivity and environment requirements. Green drain plugs prevent ground contamination during routine servicing. **Advanced design. Environmental responsibility.**



## TOTAL CONTROL

2 operating modes (CX135/225) allow the driver to tailor the engine and hydraulic performance to match most applications, reducing fuel consumption and boosting controllability in fine grading and lifting tasks. The Case SR excavators benefit from standard energy saving systems for the main pumps and the slew circuit, further cutting fuel use. Like the B-series heavy standard excavators, short joysticks in combination with the intelligent Case hydraulics ensure brilliant response and controllability even for jobs requiring highest accuracy.

**Reduced consumption. Maximum performance.**

## OPERATOR SATISFACTION

Tilting left hand console provides easy access to comfortable cab, with increased glazed area and one-piece right hand window for improved visibility across the machine for maximum safety on the jobsite. A comfortable seat, shorter levers with integral control switches and optional air conditioning provide total comfort for the operator, while new colour seat and cab trim and reduced noise levels ensure relaxed environment for fatiguefree operation. Optimized daily maintenance maximize uptimes and provide peace of mind, and low noise levels around the machine recommend SR-machines for urban jobsites.

**Complete comfort. Relaxed operation.**

## SERVICE ACCESS

Ground level servicing with remote mounted filters in the hydraulic pump housing. A new parallel type radiator and coolers design allow easy access for cleaning, while the intercooler is separately mounted for improved performance. Easy Maintenance System (EMS) bushes offering 1,000 hour greasing reduces daily operator downtime and the new full flow hydraulic filtering system exceeds oil exchange intervals up to 5000 hours, guaranteeing long service life, reducing service time and boosting productivity.

**Reduced maintenance. Lower ownership costs.**

## BUILT TO WORK

Inherent durability and best quality is instantly obvious in all Case CX-design. Robust upper structure, boom and dipper design offer strength and reliability. The update to the B-series undercarriage design offers outstanding stability, digging and lifting performances like traditional excavators. Compact counterweight and boom kinematic design minimize the machine's working envelope make these machines ideal for restricted working conditions with standard excavator performance requirements.

**Strength to perform. Designed for tightest jobsites.**



## VERSATILITY

The Case SR excavators are available with LC, standard and chassis with a dozer blade to increase versatility and stability even in heavy digging applications. Low profile frame in common with Case B series excavators features revised travel motors, new long service life track links, revised roller design and stronger drive sprocket, ensuring maximum traction in heavy ground and ultimate durability. Options of monobloc, two-piece or offset booms and different dipperstick-lengths allows to choose a highly versatile digging and loading machine for all applications. The wide range of hydraulic pipings for a multiple choice of attachments provides boost machine efficiency.

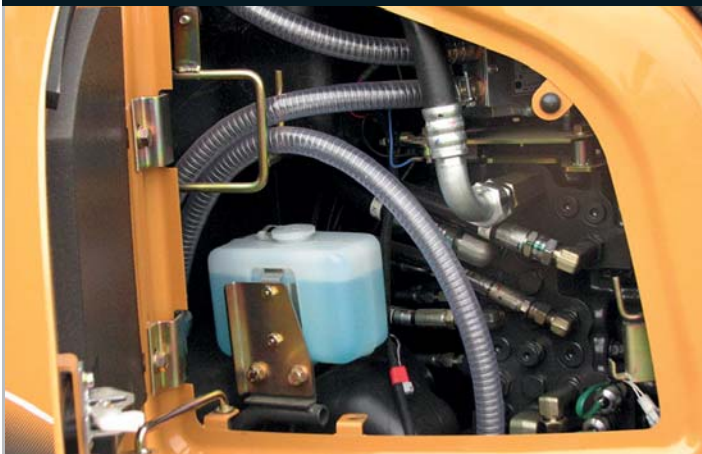
**Case design. Working partner.**

## ENGINE



High pressure common rail engine four cylinder meets Tier III emissions standards and is well equipped for the future move to Tier IV and the 75SR already meets Tier IV stage 1. Lower engine speed with high torque contributes to lower noise output and remarkable improvements in fuel consumption. Engine boasts up to 14 % [225SR] more power than previous machines, boosting performance on the job site. The latest engine design helps to reduce fuel consumption and emissions in the burning process, and the engine benefits from a new fuel filtration system with a high density filter to prolong component life. Engine warm-up system and engine protection feature further safeguard engine components and boost durability. Intelligent electronic control of both, engine and advanced hydraulics, cut fuel consumption, reducing ownership and operating costs.

## HYDRAULICS



The Case CX-SR have an efficient hydraulic pump system with an increased displacement to allow the engine to run at lower revs, reducing fuel consumption and exhaust emissions. A high performance hydraulic filter ensures long component life with maximum protection. Energy saving swing and pump systems ensure maximum performance. Standard cushioned boom lifting and dipper movements and standard safety valves for boom and dipper ensure excellent control and safety. The joysticks transfer finest hydraulic responses to your fingertips to master difficult situations easily. Even in our smallest, the CX75SR, we implement advanced hydraulics from our bigger standard excavators into our short radius excavator design.

## OFFSET BOOM OPTION



The CX75 and CX135 have the added ability to literally dig right up against a building, lot line or other obstruction thanks to its optional offset boom. The offset boom pivots at a joint between the arm and boom, allowing the bucket to be placed off center for parallel digging even beyond the edge of the machine's own tracks. This configuration is perfect for trenching directly alongside a building or around an obstacle, or for digging perfectly vertical trench walls for pipe or utility work. It also excels at backfilling with the standard backfill blade. The offset boom also allows for an extremely small work radius of only 7.5 feet (2.3 m) on the CX75 - one of the tightest in the industry.



## OPERATOR S CAB

Modern cab interior with multiply adjustable suspension or air suspension seat, shorter operating levers and optional air conditioning ensure an ideal working environment for the operator. Large safety-glass all around with a one-piece right hand window large skylight roof door improve visibility into the working area, boost site safety and reducing the risk of damage to the machine. A tiltable left hand console improves access to the cab and the driver s seat and levers ensure that operators of all sizes can find a comfortable position. Four-point fluid cab mounting reduces shocks and vibrations to the operator for a maximum of operators comfort.

## FILTERS AND SERVICE



Remote-mounted filters in the hydraulic pump area offer ground level servicing, with green drain cocks for engine oil preventing spillage on sensitive ground. The fuel tanks are enlarged, which in combination with reduced fuel consumption results in longer running between refuelling stops, cutting downtime and boosting productivity. EMS bushing on the boom and dipper offer up to 1,000 greasing intervals, further reducing service times and lowering operating costs.

## TRACK FRAME



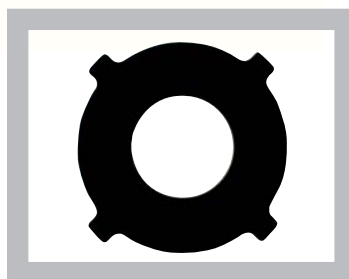
Case undercarriage design promises long component life and low operating costs. Case excavators have heat treated drive sprockets for extended use. Robust track guides and improved track links, with new M-shaped seals and increased pin hardness, further boost durability and reliability. The track rollers have a revised profile for lower wear, and the O-ring design prevents the ingress of abrasive material, further extending longevity.

## IMPROVED PIN AND BUSHING LIFE



Extended Maintenance Bushings (EMS) are fitted as standard on all Case CXB excavators and the CX225SR. The low maintenance EMS bushings provide 1,000 hour greasing intervals, greatly reducing daily and weekly servicing for the operator. Bucket pins retain a 250 hour greasing interval. Casted steel on stressed attachment linkages for durability and reducing ownership and operating costs.

EMS chrome plated pins with brass bushing



Antifriction shims



CX225SR



CASE

CX75<sup>SR</sup>

CASE





# SPECIFICATIONS CX75SR

## ENGINE

Latest generation engine meeting European requirements for Low exhaust emissions Tier 3 in accordance with directive 97/68/EC.  
 Make \_\_\_\_\_ ISUZU  
 Type \_\_\_\_\_ AU-4LE2X  
 Water-cooled, 4-cycle diesel, 4-cylinder in line, direct injection, Turbocharger with air cooled intercooler  
 Number of cylinders \_\_\_\_\_ 4  
 Bore/Stroke \_\_\_\_\_ 85 x 96 mm  
 Horsepower 80/1269/EEC \_\_\_\_\_ 54 hp (40 kW) @ 2000 rpm  
 Maximum torque 80/1269/EEC \_\_\_\_\_ 210 Nm @ 1500 rpm

## HYDRAULIC SYSTEM

Max output \_\_\_\_\_ 2 x 68 l/min @ 2000 rpm  
 2 variable displacement axial piston pumps \_\_\_\_\_ Yes  
 Attachment \_\_\_\_\_ 29.4 MPa  
 Swing circuit \_\_\_\_\_ 22.6 MPa  
 Travel \_\_\_\_\_ 29.4 Mpa

## SWING

Max upperstructure swing speed \_\_\_\_\_ 9.5 rpm

## TRAVEL

Travel motor \_\_\_\_\_ Variable displacement axial piston motor  
 Max travel speed \_\_\_\_\_ 5.1 km/h  
 Low travel speed \_\_\_\_\_ 3.3 km/h  
 Gradeability \_\_\_\_\_ 70% (35j)  
 Drawbar pull \_\_\_\_\_ 59 kN

## ELECTRICAL SYSTEM

Circuit \_\_\_\_\_ 24V  
 Batteries \_\_\_\_\_ 12V 64Ah/5HR x 2  
 Waterproof type connector  
 Alternator \_\_\_\_\_ 50 Amp

## UNDERCARRIAGE

Number of carriers rollers (each side) \_\_\_\_\_ 1  
 Number of track rollers (each side) \_\_\_\_\_ 5  
 Number of shoes each side \_\_\_\_\_ 39  
 Type of shoe \_\_\_\_\_ Triple grouser shoe

## CIRCUIT AND COMPONENT CAPACITIES

Fuel tank \_\_\_\_\_ 100 l  
 Hydraulic system \_\_\_\_\_ 97.3 l  
 Engine cooling system \_\_\_\_\_ 10.2 l

# BUCKETS

## GENERAL PURPOSE

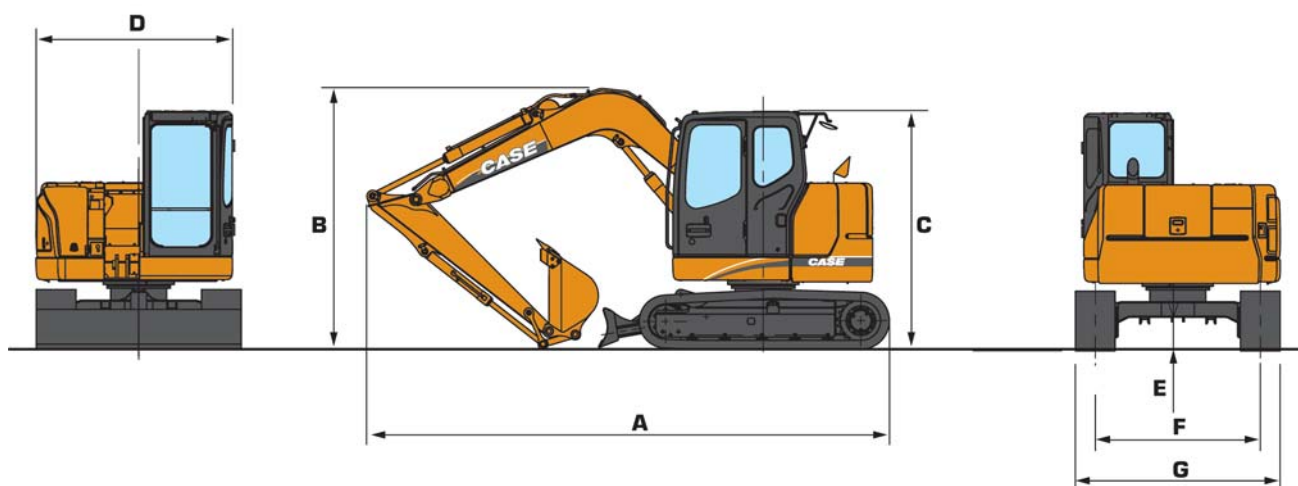
SAE capacity	l	110	130	140	160	240	310	360
Width	mm	300	350	400	450	600	750	850
Weight	kg	117	125	138	145	170	200	220

## DITCH CLEANING BUCKET

SAE capacity	l	210	270
Width	mm	1200	1500
Weight	kg	160	270



# GENERAL DIMENSIONS CX75SR



DIMENSIONS		1.71 m Mono boom	2.12 m Mono boom	1.75 m Offset Boom
	Overall length (without attachment)	mm	3280	3280
<b>A</b>	Overall length (with attachment)	mm	5915	5910
<b>B</b>	Overall height (with attachment)	mm	2700	2950
<b>C</b>	Cab height	mm	2700	2700
<b>D</b>	Upper structure overall width	mm	2225	2225
	Swing (rear end) radius	mm	1235	1235
	Clearance height under upper structure	mm	745	745
<b>E</b>	Minimum ground clearance	mm	360	360
	Wheel base (Center to center of wheels)	mm	2210	2210
	Crawler overall length	mm	2845	2845
<b>F</b>	Track gauge	mm	1870	1870
<b>G</b>	Undercarriage overall width (with 450 mm shoes)	mm	2320	2320
	Crawler tracks height	mm	675	675

## OPERATING WEIGHT

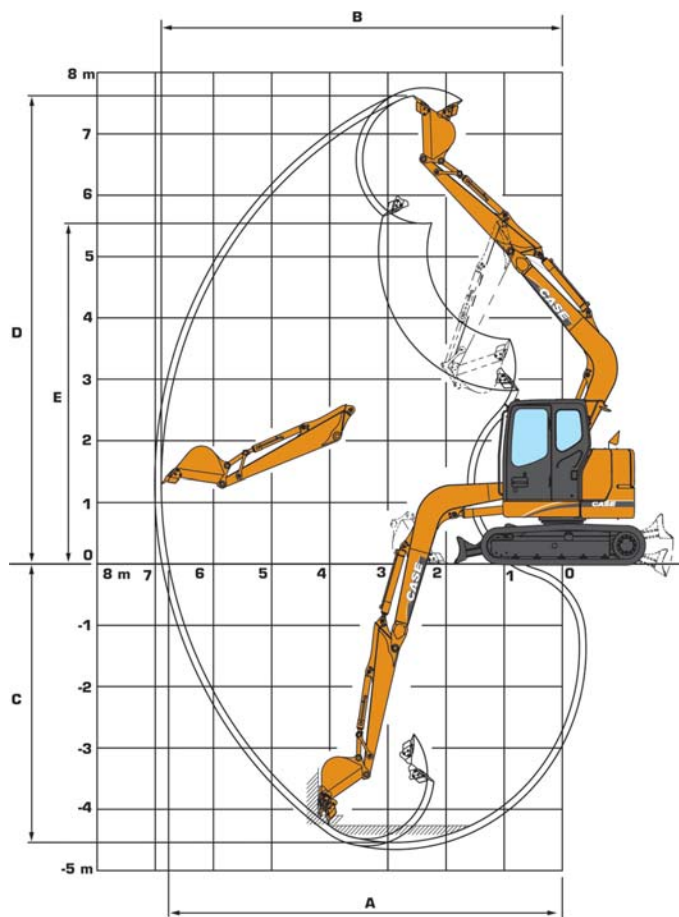
### CX75SR WITH DOZERBLADE

Operating weight (kg)  
with 75 kg operator, lubricants,  
full fuel tank, standard bucket

	MONOBOOM		OFFSET BOOM
	1.71 m	2.12 m	1.75 m
450 mm steeltracks	7950	7990	8290
600 mm steeltracks	8100	8150	8450
450 mm rubberlink-chain	7950	7990	8290

# 5SR

# PERFORMANCE DATA



		1.71 m Mono boom	2.12 m Mono boom	1.75 m Offset Boom
Boom length	mm	3870	3870	3920
Bucket radius	mm	1050	1050	1050
Bucket wrist action		177 <sub>i</sub>	177 <sub>i</sub>	177 <sub>i</sub>
<b>A</b> Maximum reach at GRP	mm	6390	6770	6360
<b>B</b> Maximum reach	mm	6520	6900	6490
<b>C</b> Max. digging depth	mm	4140	4540	4190
<b>D</b> Max. digging height	mm	7330	7620	7195
<b>E</b> Max. dumping height	mm	5250	5540	5150
Boom offset (L.H.)		-	-	1100
Boom offset (R.H.)		-	-	1000
Digging force	kN	38.3	34	39.4
Breakout force	kN	56.9	56.9	56.9

## LIFTING CAPACITY

WITH 3870 mm MONOBOOM

Values are expressed in kilos

Front 360 <sub>i</sub>	REACH					m
	2.0 m	3.0 m	4.0 m	5.0 m	At max reach	

**STANDARD ARM. 1.71 arm length, 0.28 m<sup>3</sup> (210 kg) bucket, 450G shoes, max reach 5.52 m**

5.0 m			1600*	1600*	1670*	1670*			1600*	1600*	4.07
4.0 m			1770*	1770*	1690*	1690*			1490	1340	4.8
3.0 m	2980*	2980*	2220*	2220*	1890*	1780	1360	1220	1240	1120	5.25
2.0 m			2850*	2660	1890	1680	1310	1170	1120	1000	5.47
1.0 m			2820	2460	1790	1590	1260	1120	1080	960	5.51
0 m	1490*	1490*	2700	2340	1720	1520	1220	1080	1090	970	5.36
-1.0 m	3900*	3900*	2660	2300	1680	1480	1200	1070	1200	1060	5.01
-2.0 m	4540*	4540*	2670	22310	1680	1480			1460	1290	4.4
-3.0 m	3500*	3500*	2530*	2380					2190*	1950	3.41

Front 360j	REACH									
	2.0 m		3.0 m		4.0 m		5.0 m		At max reach	

**STANDARD ARM. BLADE DOWN. 1.71 arm length, 0.28 m³ (210 kg) bucket, 450G shoes, max reach 5.52 m**

5.0 m			1600*	1600*	1670*	1670*			1600*	1600*	4.07	
4.0 m			1770*	1770*	1690*	1690*			1560*	1340	4.8	
3.0 m	1980*	1980*	2220*	2220*	1890*	1780		1720*	1220	1600*	1120	5.25
2.0 m			2850*	2660	2180*	1680		1850*	1170	1710*	1000	5.47
1.0 m			3380*	2460	2450*	1590		1980*	1120	1820*	960	5.51
0 m	2490*	2490*	3610*	2340	2620*	1520		2060*	1080	1910*	970	5.36
-1.0 m	3900*	3900*	3550*	2300	2620*	1480		2010*	1070	2000*	1060	5.01
-2.0 m	4540*	4540*	3240*	2310	2390*	1480				2110*	1290	4.4
-3.0 m	3500*	3500*	2530*	2380						2190*	1950	3.41

**LONG ARM. 2.12 arm length, 0.22 m³ (192 kg) bucket, 450G shoes, max reach 5.92 m**

5.0 m					1420*	1420*				1390*	1390*	4.59
4.0 m					1480*	1480*	1410	1270	1280	1160		5.25
3.0 m			1910*	1910*	1700*	1700*	1380	1240	1100	980		5.66
2.0 m			2550*	2550*	1920	1710	1320	1180	1000	890		5.87
1.0 m			2870	2500	1810	1600	1260	1130	960	850		5.91
0 m	2570*	2570*	2710	2350	1720	1520	1210	1080	970	860		5.77
-1.0 m	3540*	3540*	2640	2280	1660	1470	1180	1050	1040	920		5.44
-2.0 m	4910*	4750	2630	2270	1650	1450			1220	1080		4.89
-3.0 m	4050*	4050*	2670	2310	1680	1480			1670	1470		4.03

**LONG ARM. BLADE DOWN. 2.12 arm length, 0.22 m³ (192 kg) bucket, 450G shoes, max reach 5.92 m**

5.0 m					1420*	1420*				1390*	1390*	4.59
4.0 m					1480*	1480*	1490*	1270	1350*	1160		5.25
3.0 m			1910*	1910*	1700*	1700*	1580*	1240	1370*	980		5.66
2.0 m			2550*	2550*	200*	1710	1730*	1180	1440*	890		5.87
1.0 m			3160*	2500	2320*	1600	1890*	1130	1580*	850		5.91
0 m	2570*	2570*	3520*	2350	2540*	1520	2010*	1080	1730*	860		5.77
-1.0 m	3540*	3540*	3580*	2280	2610*	1470	2030*	1050	1820*	920		5.44
-2.0 m	4910*	4750	3380*	2270	2490*	1450			1930*	1080		4.89
-3.0 m	4050*	4050*	2860*	2310	2050*	1480			2030*	1470		4.03

## LIFTING CAPACITY

WITH 3920 mm OFFSET BOOM

**STANDARD ARM. 1.75 arm length, 0.28 m³ (210 kg) bucket, 450G shoes, max reach 5.44 m**

5.0 m			1560*	1560*					1550*	1550*	3.97
4.0 m			1720*	1720*	1590*	1590*			1490	1330	4.72
3.0 m			2120*	2120*	1770*	1720	1280	1140	1200	1070	5.17
2.0 m			2660*	2520	1790	1580	1210	1070	1050	930	5.4
1.0 m			2590	2220	1640	1430	1140	1000	980	860	5.44
0 m			2410	2060	1530	1330	1080	940	990	860	5.28
-1.0 m	3920*	3920*	2350	2000	1480	1280			1070	930	5.93
-2.0 m	4060*	4060*	2370	2020	1480	1280			1320	1150	4.31
-3.0 m	3100*	3100*	2270*	2110					2060*	1820	3.29

**STANDARD ARM. BLADE DOWN. 1.75 arm length, 0.28 m³ (210 kg) bucket, 450G shoes, max reach 5.44 m**

5.0 m			1560*	1560*					1550*	1550*	3.97
4.0 m			1720*	1720*	1590*	1590*			1540*	1330	4.72
3.0 m			2120*	2120*	1770*	1720	1580*	1140	1560*	1070	5.17
2.0 m			2660*	2520	2020*	1580	1690*	1070	1610*	930	5.4
1.0 m			3110*	2220	2250*	1430	1800*	1000	1670*	860	5.44
0 m			3290*	2060	2380*	1330	1870*	940	1760*	860	5.28
-1.0 m	3920*	3920*	3220*	2000	2370*	1280			1850*	930	5.93
-2.0 m	4060*	4060*	2910*	2020	2160*	1280			1970*	1150	4.31
-3.0 m	3100*	3100*	2270*	2110					2060*	1820	3.29

\*Hydraulic capacity 87%.

# SPECIFICATIONS CX135SR

## ENGINE

Latest generation engine meeting European requirements for Low exhaust emissions Tier 3 in accordance with directive 97/68/EC.  
 Make \_\_\_\_\_ ISUZU  
 Type \_\_\_\_\_ AJ4JJ1X  
 Water-cooled, 4-cycle diesel, 4-cylinder in line, direct injection (electric control), Turbocharger with air cooled intercooler  
 Number of cylinders \_\_\_\_\_ 4  
 Bore/Stroke \_\_\_\_\_ 95.4 x 104.9 mm  
 Horsepower SAE J1349 \_\_\_\_\_ 95 hp (70.9 kW) @ 2000 rpm  
 Maximum torque SAE J1349 \_\_\_\_\_ 359 Nm @ 1600 rpm

## HYDRAULIC SYSTEM

Max output \_\_\_\_\_ 2 x 117 l/min @ 2000 rpm  
 2 variable displacement axial piston pumps with regulating system  
 Attachment \_\_\_\_\_ 34.3 MPa  
 Swing circuit \_\_\_\_\_ 28.0 MPa  
 Travel \_\_\_\_\_ 34.3 Mpa

## SWING

Max upperstructure swing speed \_\_\_\_\_ 10.0 rpm

## TRAVEL

Travel motor \_\_\_\_\_ Variable displacement axial piston motor  
 Max travel speed \_\_\_\_\_ 5.0 km/h  
 Low travel speed \_\_\_\_\_ 3.1 km/h  
 Gradeability \_\_\_\_\_ 70% (35j)  
 Drawbar pull \_\_\_\_\_ 114 kN

## ELECTRICAL SYSTEM

Circuit \_\_\_\_\_ 24 V  
 Batteries \_\_\_\_\_ 12 V 72Ah/5HR x 2  
 Waterproof type connector  
 Alternator \_\_\_\_\_ 50 Amp

## UNDERCARRIAGE

Number of carriers rollers (each side) \_\_\_\_\_ 1  
 Number of track rollers (each side) \_\_\_\_\_ 6  
 Number of shoes each side \_\_\_\_\_ 43  
 Type of shoe \_\_\_\_\_ Triple grouser shoe

## CIRCUIT AND COMPONENT CAPACITIES

Fuel tank \_\_\_\_\_ 165 l  
 Hydraulic system \_\_\_\_\_ 130 l  
 Engine cooling system \_\_\_\_\_ 14 l

# BUCKETS

## GENERAL PURPOSE

SAE capacity	l	210	310	420	520	580	630	740
Width	mm	450	600	750	900	1000	1100	1200
Weight	kg	245	278	312	355	388	421	445

# OPERATING WEIGHT

## CX135SR

Operating weight (kg) with  
 75 kg operator, lubricants,  
 full fuel tank, standard bucket

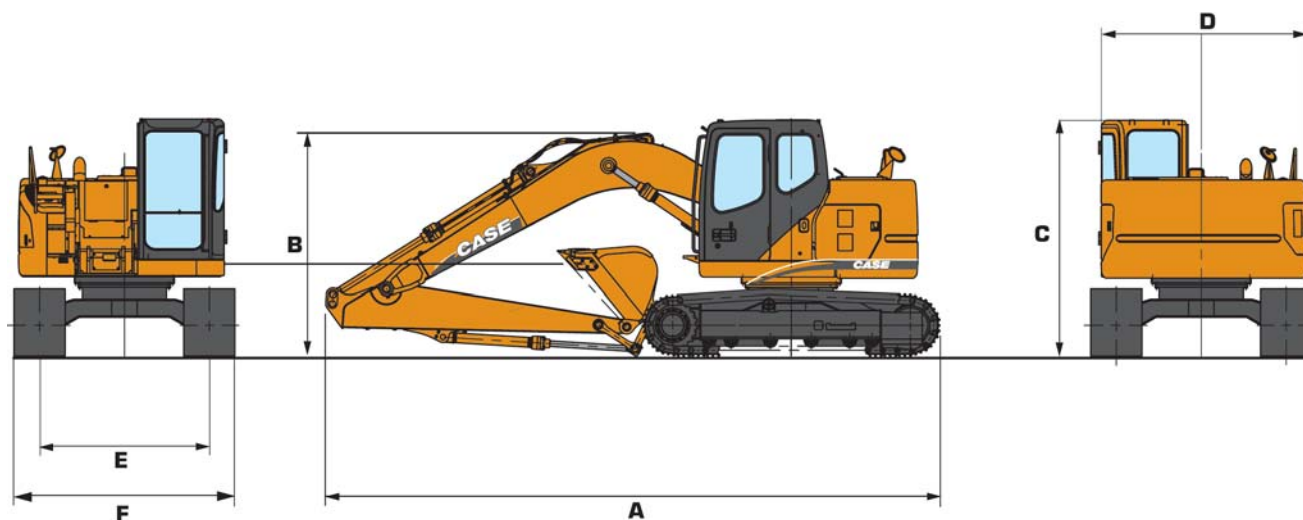
	2 PIECE BOOM		MONOBOOM		OFFSET BOOM
	2.40 m	2.85 m	2.40 m	2.85 m	2.11 m
500 mm steelstracks	14040	14120	13440	13520	14000
600 mm steelstracks	14200	14280	13600	13680	14160
700mm steelstracks	14500	14580	13900	13990	14460
500 mm rubberlink-chain	14120	14200	13520	13600	14080

## CX135SR WITH DOZERBLADE

Operating weight (kg) with  
 75 kg operator, lubricants,  
 full fuel tank, standard bucket

	2 PIECE BOOM		MONOBOOM	OFFSET BOOM
	2.40 m	2.85 m	2.40 m	2.11 m
500 mm steelstracks	14040	14120	13440	1400
600 mm steelstracks	14200	14280	13600	14160
700mm steelstracks	14500	14580	13900	14460
500 mm rubberlink-chain	14120	14200	13520	14080

# GENERAL DIMENSIONS CX135SR

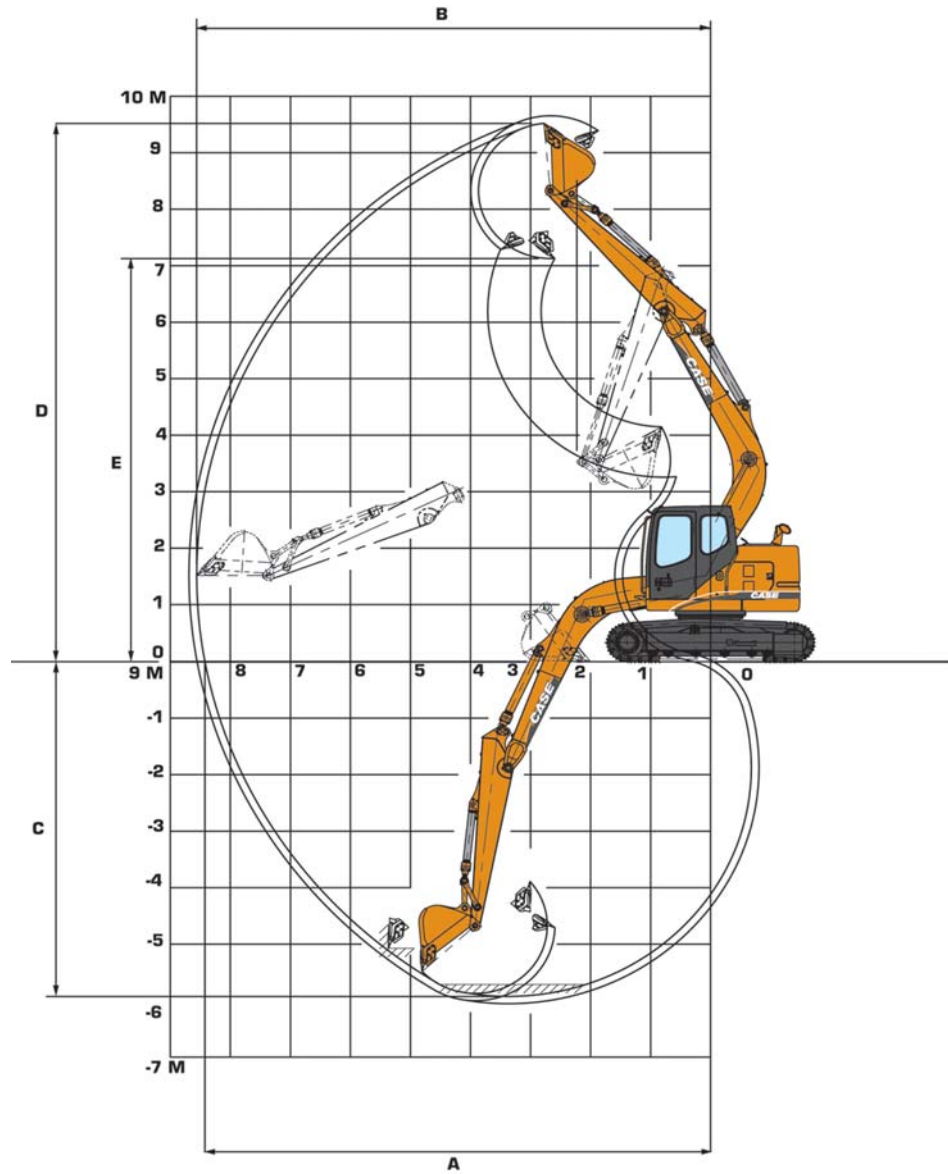


DIMENSIONS		2.40 m 2 piece boom	2.85 m 2 piece boom	2.40 Mono boom	2.85 Mono boom	2.10 Offset boom w/dozer blade
	Overall length (without attachment)	mm	3510	3510	3510	4020
<b>A</b>	Overall length (with attachment)	mm	7270	7310	7240	7470
<b>B</b>	Overall height (with attachment)	mm	2750	2750	2750	2870
<b>C</b>	Cab height	mm	2750	2750	2750	2750
<b>D</b>	Upper structure overall width	mm	2415	2415	2415	2415
	Swing (rear end) radius	mm	1480	1480	1480	1480
	Clearance height under upper structure	mm	880	880	880	880
	Minimum ground clearance	mm	435	435	435	435
	Wheel base (Center to center of wheels)	mm	2785	2785	2785	2785
	Crawler overall length	mm	3510	3510	3510	3510
<b>E</b>	Track gauge	mm	1990	1990	1990	1990
<b>F</b>	Undercarriage overall width (with 600 mm shoes)	mm	2590	2590	2590	2590
	Crawler tracks height	mm	780	780	780	780

DIMENSIONS		2.40 m 2 piece boom w/dozer blade	2.85 m 2 piece boom w/dozer blade	2.40 Mono boom w/dozer blade	2.85 Mono boom w/dozer blade
	Overall length (without attachment)	mm	4020	4020	4020
<b>A</b>	Overall length (with attachment)	mm	7770	7810	7755
<b>B</b>	Overall height (with attachment)	mm	2750	2750	2750
<b>C</b>	Cab height	mm	2750	2750	2750
<b>D</b>	Upper structure overall width	mm	2415	2415	2415
	Swing (rear end) radius	mm	1480	1480	1480
	Clearance height under upper structure	mm	880	880	880
	Minimum ground clearance	mm	435	435	435
	Center to center of wheels	mm	2785	2785	2785
	Crawler overall length	mm	3510	3510	3510
<b>E</b>	Track gauge	mm	1990	1990	1990
<b>F</b>	Undercarriage overall width (with 600 mm shoes)	mm	2590	2590	2590
	Crawler tracks height	mm	780	780	780

# CX135SR

# PERFORMANCE DATA



		2.40 m 2 piece boom	2.85 m 2 piece boom	2.40 Mono boom	2.85 Mono boom	2.10 Offset boom w/dozer blade
Boom length	mm	4735	4735	4730	4730	4500
Bucket radius	mm	1200	1200	1200	1200	1200
Bucket wrist action		178□	178□	178□	178□	178□
<b>A</b> Maximum reach at GRP	mm	8130	8515	8065	8430	7370
<b>B</b> Maximum reach	mm	8270	8650	8205	8565	7525
<b>C</b> Max. digging depth	mm	5240	5675	5470	5930	4960
<b>D</b> Max. digging height	mm	9390	9640	9305	9520	8580
<b>E</b> Max. dumping height	mm	6990	7240	6905	7125	6205
Digging force	kN	63.9	59.6	63.9	59.6	59.5
Breakout force	kN	89.7	89.7	89.7	89.7	89.7

		2.40 m 2 piece boom w/dozer blade	2.85 m 2 piece boom w/dozer blade	2.40 Mono boom w/dozer blade	2.85 Mono boom w/dozer blade
Boom length	mm	4735	4735	4730	4730
Bucket radius	mm	1200	1200	1200	1200
Bucket wrist action		178□	178□	178□	78□
<b>A</b> Maximum reach at GRP	mm	8130	8515	8065	8430
<b>B</b> Maximum reach	mm	8270	8650	8205	8565
<b>C</b> Max. digging depth	mm	5240	5675	5470	5930
<b>D</b> Max. digging height	mm	9390	9640	9305	9520
<b>E</b> Max. dumping height	mm	6990	7240	6905	7125
Digging force	kN	63.9	59.6	63.9	59.6
Breakout force	kN	89.7	89.7	89.7	89.7



# LIFTING CAPACITY

WITH 4375 mm 2 PIECE BOOM

Values are expressed in kilos

Front 360j	REACH													
	2.0 m	3.0 m	4.0 m	5.0 m	6.0 m	7.0 m	At max reach						m	

Standard chassis without dozerblade, 2 piece boom, dipper 2.40 m, 600 mm shoes, bucket 0.5 m<sup>3</sup>/400 kg, max reach 7.59 m

6.0 m					3180*	3180*	2640*	2640*					2200	2200	5.3*
5.0 m					3460*	3460*	3250*	2880	2220*	2040			1430	1430	6.3*
4.0 m			4110*	4110*	4150*	4100*	3860*	2940	2900	2050			1410	1410	6.8*
3.0 m	12190*	12190*	7350*	6450	5410*	4110	4030	2900	2880	2040	1670*	1450	1440	1420	7.1*
2.0 m	11110*	11110*	8880	6120	5650	4000	3960*	2760	2840	1950	2100	1400	1500	1330	7.2*
1.0 m	9930*	9930*	8860*	5880	5520	3910	3810	2710	2750	1870	2060	1360	1610	1290	7.2*
0 m	13080*	12120	8730	5770	5420*	3660	3650	2470	2660	1790	2020	1330	1780	1310	7.1*
-1.0 m	13640*	11550	8720	5450	5220	3460	3540	2360	2560	1690			2060	1390	6.8*
-2.0 m	13470*	11310	8510	5280	4970	3230	3410	2250	2530	1660			2360	1550	6.3
-3.0 m	13070*	11310	8120*	5100	4880	3160	3390	2230					2130	1870	5.6*

Standard chassis without dozerblade, 2 piece boom, dipper 2.85 m, 600 mm shoes, bucket 0.37 m<sup>3</sup>/340 kg, max reach 7.59 m

7.0 m					2810*	2810*	2100*	2100*					1930	1930	5.1*
6.0 m							2730*	2730*	1830*	1830*			1660	1660	6.1*
5.0 m					2970*	2970*	3000*	2970	2600*	2120			1590	1590	6.7*
4.0 m					3360*	3360*	3380*	3030	2960	2120	1950*	1250	1580	1450	7.2*
3.0 m	6210*	6210*	5180*	5180*	4640*	4100	4030	2990	2940	2090	2190	1520	1610	1310	7.4*
2.0 m	12310*	12310*	8610*	6370	5600	4120	3950	2890*	2890	2060	2170	1460	1680	1230	7.6*
1.0 m	11790*	11790*	8750	6070	5430	3850*	3870	2780	2780	1960	2100	1400	1790	1190	7.6*
0 m	12560*	12470	8660*	5920	5320	3730	3810	2610	2680	1800	2050	1350	1830	1190	7.4
-1.0 m	13410*	11660	8800	5520	5270	3500	3550	2380	2600	1730	1990	1290	1920	1250	7.2
-2.0 m	13710*	11270	8510	5280	5100	3340	3460	2290	2520	1650			2110	1370	6.7
-3.0 m	13890*	11150	8400		5180	4900	3170	3330	2170	2450*	1640		2340	1610	6.1*
-4.0 m	10110*	10110*	6090*	5000	3760*	3110	1830*	1830*					1750	1750	5.1*

# LIFTING CAPACITY

WITH 3870 mm MONOBOOM

Standard chassis without dozerblade, dipper 2.40 m, 600 mm shoes, bucket 0.5 m<sup>3</sup> 360 kg, max reach 7.12 m

6.0 m					3140*	3140*	2440*	2440*					1910*	1910*	5.33
5.0 m					3520*	3520*	3200*	2790	1960*	1960*			1450*	1450*	6.19
4.0 m			4390*	4390*	4310*	3950	3860	2710	3820	1970			1450*	1450*	6.66
3.0 m	10150*	10150*	6700*	6000	5260*	3730	3730	2590	2750	1900			1480*	1450	6.96
2.0 m			8310*	5450	5170	3470	3580	2450	2670	1820	1970*	1390	1560*	1360	7.1
1.0 m			8110	5040	4920	3560	3450	2320	2580	1750	2020	1350	1700*	1320	7.1
0 m	3430*	3430*	7870	4850	4760	3110	3340	2230	2520	1690			1910*	1340	6.95
-1.0 m	5110*	5110*	7790	4780	4670	3030	3280	2170	2480	1650			2130	1410	6.65
-2.0 m	6980*	6980*	7800	4790	4650	3010	3260	2150	2480	1650			2370	1580	6.18
-3.0 m	8950*	8950*	6440*	4860	4690	3050	3290	2180					2870	1920	5.48
-4.0 m	6160*	6160*	5010*	5000	3880*	3150							3310*	2690	4.46

Standard chassis without dozerblade, monoboom, dipper 2.85 m, 600 mm shoes, bucket 0.37 m<sup>3</sup> 340 kg, max reach 7.47 m

6.0 m					2890*	2890*	2640*	2640*					1650*	1650*	4.95
5.0 m					3050*	3050*	2990*	2860	2460*	2060			1600*	1600*	6.59
4.0 m					3510*	3510*	3440*	2770	2870	2010	1690*	1490	1600*	1480	7.04
3.0 m	7180*	7180*	5660*	5660*	4790*	3830	3790	2640	2790	1930	2130	1460	1640*	1340	7.32
2.0 m			7570*	5650	5270	3560	3630	2490	2690	1850	2080	1410	1730*	1250	7.45
1.0 m			8260	5160	4990	3310	3480	2350	2600	1760	2020	1360	1820	1210	7.45
0 m	3770*	3770*	7910	4880	4780	3130	3350	2240	2520	1690	1980	1310	1850	1220	7.31
-1.0 m	4990*	4990*	7760	4750	4660	3020	3270	2160	2470	1640	1950	1290	1940	1280	7.03
-2.0 m	6530*	6530*	7720	4720	4610	2970	3230	2120	2440	1610			2130	1410	6.58
-3.0 m	8460*	8460*	7630*	4760	4620	2980	3230	2130					2510	1660	5.93
-4.0 m	7840*	7840*	6020*	4870	4690*	3050							3310	2190	5.0
-5.0 m			3460*	3460*									2900*	2900*	3.57

\*Hydraulic capacity 87%.

# LIFTING CAPACITY

WITH 4375 mm 2 PIECE BOOM

Values are expressed in kilos

Front 360j	REACH													
	2.0 m	3.0 m	4.0 m	5.0 m	6.0 m	7.0 m	At max reach						m	

**Chassis with dozerblade, blade up, 2 piece boom, dipper 2.40 m, 600 mm shoes, bucket 0.50 m<sup>3</sup>/400 kg, max reach 7.22 m**

6.0 m					3180*	3180*	2640*	2610					2200	2200	5.3*
5.0 m					3460*	3460*	3250*	2650	2220*	1810			1430	1430	6.3*
4.0 m			4110*	4110*	4150*	3810	3700	2640	2670	1820			1410	1380	6.8*
3.0 m	12190*	12160	7350*	5850	5380	3710	3730	2610	2640	1800	1670*	1250	1440	1230	7.1*
2.0 m	11110*	11110*	8460*	5850	5230	3600	3670	2470	2610	1720	1910	1210	1500	1140	7.2*
1.0 m	9930*	9930*	8190	5650	5100	3510	3500	2410	2510	1630	1860	1160	1610	1100	7.2*
0 m	13080*	10870	8380*	5170	5020	3260	3350	2170	2430	1550	1830	1130	1780	1120	7.1*
-1.0 m	12640*	10300	8040	4850	4810	3060	3240	2070	2330	1460			1910	1180	6.8
-2.0 m	13470*	10060	7830	4670	4550	2840	3110	1950	2290	1420			2130	1330	6.3
-3.0 m	13070*	10060	7620	4500	4460	2760	3090	1930					2130	1610	5.6*

**Chassis with dozerblade, blade down, 2 piece boom, dipper 2.40 m, 600 mm shoes, bucket 0.50 m<sup>3</sup>/400 kg, max reach 7.22 m**

6.0 m					3180*	3180*	2640*	2610					2200	2200	5.3*
5.0 m					3460*	3460*	3250*	2650	2220*	1810			1430	1430	6.3*
4.0 m			4110*	4110*	4150*	3810	3860*	2640	3070*	1820			1410	1380	6.8*
3.0 m		12160	7350*	5850	5410	3710	4430*	2610	3440*	1800	1670*	1250	1440	1230	7.1*
2.0 m		11110*	9110*	5850	6370*	3600	4910*	2470	4030	1720	2300*	1210	1500	1140	7.2*
1.0 m		9930*	9310*	5650	6910*	3510	5320*	2410	4350*	1630	2520*	1160	1610	1100	7.2*
0 m		10870	9410*	517	6890*	3260	5400*	2170	4390*	1550	2120*	1130	1780	1120	7.1*
-1.0 m		10300	9480*	4850	6940*	3060	5450*	2070	4140*	1460			2060	1180	6.8*
-2.0 m		10060	9530*	4670	6790*	2840	5010*	1950	3090*	1420			2510	1330	6.3*
-3.0 m		10060	8120*	4500	5490*	2760	3580*	1930					2130	1610	5.6*

**Chassis with dozerblade, blade up, 2 piece boom, dipper 2.85 m, 600 mm shoes, bucket 0.37 m<sup>3</sup>/340 kg, max reach 7.59 m**

7.0 m					2810*	2810*	2100*	2100*					1930	1930	5.1*
6.0 m							2730*	2710	1830*	1830*			1660	1660	6.1*
5.0 m					2970*	2970*	3000	2740	2600*	1920			1590	1470	6.7*
4.0 m					3360*	3360*	3380*	2730	2730	1930	1950*	1320	1580	1260	7.2*
3.0 m	6210*	6210*	5180*	5180*	4640*	3700	3760*	2690	2700*	1860	1990	1320	1610	1130	7.4*
2.0 m	12310*	11580	8480	5760	5210*	3720	3670*	2650	2660	1820	1970	1260	1680	1050	7.6
1.0 m	11790*	11540	8280*	5470	5150*	3620	3570	2480	2560*	1720	1910	1210	1640	1010	7.6
0 m	12560*	11220	8180	5310	4900	3340	3510	2320	2450	1560	1850	1150	1650	1010	7.4
-1.0 m	13410*	10410	8120	4910	4850	3100	33250	2080	2370	1490	1790	1090	1730	1060	7.2
-2.0 m	13710*	10020	7830	4670	4680	2950	3160	2000	2280	1410			1900	1170	6.7
-3.0 m	13890*	9900	7720	4570	4490	2780	3020	1870	2280	1410			2230	1380	6.1
-4.0 m	10110*	9810	6090*	4390	3760*	2710	1830*	1830*					1450	1750	5.1*

**Chassis with dozerblade, blade down, 2 piece boom, dipper 2.85 m, 600 mm shoes, bucket 0.37 m<sup>3</sup>/340 kg, max reach 7.59 m**

7.0 m					2810*	2810*	2100*	2100*					1930	1930	5.1*
6.0 m							2730*	2730*	1830*	1830*			1660	1660	6.1*
5.0 m					2970*	2970*	3000*	2760	2600	1940			1590	1490	6.7*
4.0 m					3360*	3360*	3380*	2750	3060*	1950	1950*	1340	1580	1270	7.2*
3.0 m		6210*	5180*	5180*	4640*	3730	4080*	2720	3300*	1880	2560*	1330	1610	1140	7.4*
2.0 m		11680	8610*	5810	5830*	3750	4590*	2670	3810*	1840	2910*	1280	1680	1060	7.6*
1.0 m		11630	9320*	5520	6790*	3650	5170*	2510	4120*	1740	3040*	1220	1790	1020	7.6*
0 m		11320	9340*	5360	6820*	3370	5350*	2340	4390*	1580	3170*	1170	1970	1020	7.4*
-1.0 m		10510	9340*	4960	6850*	3130	5370*	2100	4270*	1510	2970*	1110	2240	1070	7.2*
-2.0 m		10110	9490*	4720	6960*	2980	5360*	2020	3870*	1430			2680	1180	6.7*
-3.0 m		10000	9190*	4620	6410*	2810	4140*	1890	2450*	1420			2340	1400	6.1*
-4.0 m		9910	6090*	4440	3760*	2740	1830*	1830*					1750	1750	5.1*

\*Hydraulic capacity 87%.

# LIFTING CAPACITY

WITH 3920 mm OFFSET BOOM

Values are expressed in kilos

Front 360j	REACH							m
	2.0 m	3.0 m	4.0 m	5.0 m	6.0 m	7.0 m	At max reach	

**Standard chassis with dozerblade, blade up, offsetboom, dipper 2.10 m, 600 mm shoes, bucket 0.45 m/360 kg, max reach 6.34 m**

6.0 m					2680*	2680*							2020*	2020*	4.45	
5.0 m			3060*	3060*	3090*	3090*	2570*	2570*						1970*	1970*	5.29
4.0 m			3880*	3880*	3700*	3700*	3290*	2630						2010*	1940	5.83
3.0 m			6350*	5900	5010*	3620	3450	2470	2480	1760				2130*	1660	6.17
2.0 m			7820*	5110	4730	3270	3250	2280	2370	1660				2160	1500	6.33
1.0 m			7170	4530	4380	2960	3060	2100	2270	1560				2070	1420	6.32
0 m			6830	4250	4150	2750	2910	1970	2180	1480				2090	1420	6.16
-1.0 m	5230*	5230*	6720	4160	4030	2640	2830	1890						2240	1510	5.82
-2.0 m	7010*	7010*	6740	4180	4010	2620	2810	1880						2600	1740	5.27
-3.0 m	8300*	8300*	6410*	4300	4090	2700								3480	2320	4.42
-4.0 m			4180*	4180*										4110*	4110*	3.06

**Standard chassis with dozerblade, blade down, offsetboom, dipper 2.10 m, 600 mm shoes, bucket 0.45 m/360 kg, max reach 6.34 m**

6.0 m					2680*	2680*								2020*	2020*	4.45
5.0 m			3060*	3060*	3090*	3090*	2570*	2570*						1970*	1970*	5.29
4.0 m			3880*	3880*	3700*	3700*	3290*	2630						2010*	1940	5.83
3.0 m			6350*	5900	5010*	3620	4200*	2470	2690*	1760				2130*	1660	6.17
2.0 m			7820*	5110	5720*	3270	4660*	2280	3500*	1660				2320*	1500	6.33
1.0 m			8730*	4530	6280*	2960	4980*	2100	4160*	1560				2640*	1420	6.32
0 m			8120*	4250	6530*	2750	5130*	1970	4210*	1480				3160*	1420	6.16
-1.0 m			8530*	4160	6430*	2640	5060*	1890						4090*	1510	5.82
-2.0 m			7730*	4180	5950*	2620	4660*	1880						4350*	1740	5.27
-3.0 m			6410*	4300	4970*	2700								4420*	2320	4.42
-4.0 m			4180*	4180*										4110*	4110*	3.06

\*Hydraulic capacity 87%.

# CX135SR

# LIFTING CAPACITY

WITH 3870 mm MONOBOOM

Values are expressed in kilos

Front 360j	REACH													
	2.0 m		3.0 m		4.0 m		5.0 m		6.0 m		7.0 m		At max reach	

**Standard chassis with dozerblade, blade up, monoboom, dipper 2.40 m, 600 mm shoes, bucket 0.5 m³/400 kg, max reach 7.12 m**

6.0 m					3140*	3140*	2440*	2440*						1910*	1910*	5.33
5.0 m					3520*	3520*	3200*	2740	1960*	1960				1450*	1450*	6.19
4.0 m					4390*	4390*	4310*	3880	3620	2660	2620	1920		1450*	1450*	6.66
3.0 m	10150*	10150*	6700*	5890	5110	3650	3490	2530	2550	1860				1480*	1410	6.96
2.0 m			8040	5340	4830	3400	3340	2400	2470	1780	1900	1360		1560*	1320	7.1
1.0 m			7550	4930	4580	3180	3200	2270	2390	1710	1860	1320		1700*	1290	7.1
0 m	3430*	3430*	7320	4740	4410	3040	3090	2170	2330	1640				1840	1300	6.95
-1.0 m	5110*	5110*	7240	4670	4330	2960	3030	2120	2290	1610				1960	1380	6.65
-2.0 m	6980*	6980*	7250	4680	4310	2940	3010	2100	2280	1600				2190	1590	6.18
-3.0 m	8950*	8950*	6940*	4750	4350	2980	3040	2130						2650	1870	5.48
-4.0 m	6160*	6160*	5010*	4890	3880*	3080								3310*	2630	4.46

**Standard chassis with dozerblade, blade down, monoboom, dipper 2.40 m, 600 mm shoes, bucket 0.5 m³/400 kg, max reach 7.12 m**

6.0 m					3140*	3140*	2440*	2440*						1910*	1910*	5.33	
5.0 m					3520*	3520*	3200*	2740	1960*	1960				1450*	1450*	6.19	
4.0 m					4390*	4390*	4310*	3880	3890*	2660	2920*	1920		1450*	1450*	6.66	
3.0 m					6700*	5890	5260*	3650	4470*	2530	3730*	1860		1480*	1410	6.96	
2.0 m					8310*	5340	6060*	3400	4900*	2400	4200*	1780	1970*	1360	1560*	1320	7.1
1.0 m					8790*	4930	6670*	3180	5250*	2270	4380*	1710	2150*	1320	1700*	1290	7.1
0 m					7900*	4740	6930*	3040	5440*	2170	4460*	1640			1910*	1300	6.95
-1.0 m					8990*	4670	6830*	2960	5380*	2120	4350*	1610			2240*	1380	6.65
-2.0 m					8210*	4680	6360*	2940	5020*	2100	3940*	1600			2810*	1540	6.18
-3.0 m					6940*	4750	5460*	2980	4240*	2130					3650*	1870	5.48
-4.0 m					5010*	4890	3880*	3080							3310*	2630	4.46

**Standard chassis with dozerblade, blade down, monoboom, dipper 2.85 m, 600 mm shoes, bucket 0.37 m³ 340 kg, max reach 7.47 m**

6.0 m					2890*	2890*	2640*	2640*						1650*	1650*	4.95	
5.0 m					3050*	3050*	2990*	2810	2460*	2010				1600*	1600*	6.59	
4.0 m					3510*	3510*	3440*	2720	3000*	1970	1690*	1460		1600*	1440	7.04	
3.0 m					5660*	5660*	4790*	3750	4170*	2590	3600*	1890	2350*	1420	1640*	1300	7.32
2.0 m					7570*	5540	5650*	3490	4640*	2440	4020*	1800	2830*	1370	1730*	1220	7.45
1.0 m					8870*	5050	6390*	3240	5070*	2300	4260*	1720	3180*	1320	1870*	1180	7.45
0 m					8900*	4770	6820*	3060	5340*	2180	4400*	1640	3210*	1280	2080*	1190	7.31
-1.0 m					9130*	4640	6880*	2950	5400*	2100	4400*	1590	2540*	1250	2410*	1250	7.03
-2.0 m					8680*	4610	6590*	2900	5190*	2070	4170*	1570			2960*	1370	6.58
-3.0 m					7630*	4650	5900*	2910	4640*	2070					3620*	1620	5.93
-4.0 m					6020*	4760	4690*	2980							3490*	2140	5.0
-5.0 m					3460*	3460*									2900*	2900*	3.57

**Standard chassis with dozerblade, blade up, monoboom, dipper 2.85 m, 600 mm shoes, bucket 0.37 m³ 340 kg, max reach 7.47 m**

6.0 m					2890*	2890*	2640*	2640*						1650*	1650*	5.95	
5.0 m					3050*	3050*	2990*	2810	2460*	2010				1600*	1600*	6.59	
4.0 m					3510*	3510*	3440*	2720	2670	1970	1690*	1460		1600*	1440	7.04	
3.0 m	7180*	7180*	5660*	5660*	4790*	3750	3550	2590	2590	1890	1970	1420		1640*	1300	7.32	
2.0 m					7570*	5540	4920	3490	3390	2440	2500	1800	1920	1370	1720	1220	7.45
1.0 m					7700	5050	4650	3240	3230	2300	2410	1720	1860	1320	1680	1180	7.45
0 m	3770*	3770*	7360	4770	4440	3060	3100	2180	2330	1640	1820	1280		1700	1190	7.31	
-1.0 m	4990*	4990*	7210	4640	4320	2950	3020	2100	2270	1590	1790	1250		1780	1250	7.03	
-2.0 m	6530*	6530*	7170	4610	4270	2900	2980	2070	2550	1570				1960	1370	6.58	
-3.0 m	8460*	8460*	7220	4650	4280	2910	2990	2070						2310	1620	5.93	
-4.0 m	7840*	7840*	6020*	4760	4360	2980								3060	2140	5.0	
-5.0 m					3460*	3460*								2900*	2900*	3.57	

\*Hydraulic capacity 87%.



CX225SR

# SPECIFICATIONS CX225SR

## ENGINE

Latest generation engine meeting European requirements for Low exhaust emissions Tier 3 in accordance with directive 97/68/EC.  
 Make \_\_\_\_\_ ISUZU  
 Type \_\_\_\_\_ AJ-4HK1X  
 Water-cooled, 4-cycle diesel, 4-cylinder in line, direct injection (electric control), Turbocharger with air cooled intercooler  
 Number of cylinders \_\_\_\_\_ 4  
 Bore/Stroke \_\_\_\_\_ 115 x 125 mm  
 Horsepower 80/1269/ECC \_\_ 153 hp (114.4 kW) @ 1800 rpm  
 Maximum torque 80/1269/EEC \_\_\_\_\_ 616 Nm@ 1500 rpm

## HYDRAULIC SYSTEM

Max output \_\_\_\_\_ 2 x 190 l/min @ 1800 rpm  
 2 variable displacement axial piston pumps with regulating system  
 Attachment \_\_\_\_\_ 34.3 MPa  
 Swing circuit \_\_\_\_\_ 30.4 MPa  
 Travel \_\_\_\_\_ 34.3 Mpa

## SWING

Max upperstructure swing speed \_\_\_\_\_ 10.6 rpm

## TRAVEL

Travel motor \_\_\_\_\_ Variable displacement axial piston motor  
 Max travel speed \_\_\_\_\_ 5.0 km/h  
 Low travel speed \_\_\_\_\_ 3.1 km/h  
 Gradeability \_\_\_\_\_ 70% [35j]  
 Drawbar pull \_\_\_\_\_ 187 KN

## ELECTRICAL SYSTEM

Circuit \_\_\_\_\_ 24 V  
 Batteries \_\_\_\_\_ 12 x 12 V 92 Ah/5 HR  
 Waterproof type connector  
 Alternator \_\_\_\_\_ 50 Amp

## UNDERCARRIAGE

Number of carriers rollers (each side) \_\_\_\_\_ 2  
 Number of track rollers (each side) \_\_\_\_\_ 8  
 Number of shoes each side \_\_\_\_\_ 49  
 Type of shoe \_\_\_\_\_ Triple grouser shoe

## CIRCUIT AND COMPONENT CAPACITIES

Fuel tank \_\_\_\_\_ 265 l  
 Hydraulic system \_\_\_\_\_ 205 l  
 Engine cooling system \_\_\_\_\_ 25.6 l

# BUCKETS

### GENERAL PURPOSE

SAE capacity	l	450	600	760	840	920	1090	1250	1420
Width	mm	600	750	900	1000	1100	1200	1350	1500
Weight	kg	524	578	645	682	731	767	849	905

### HEVY DUTY

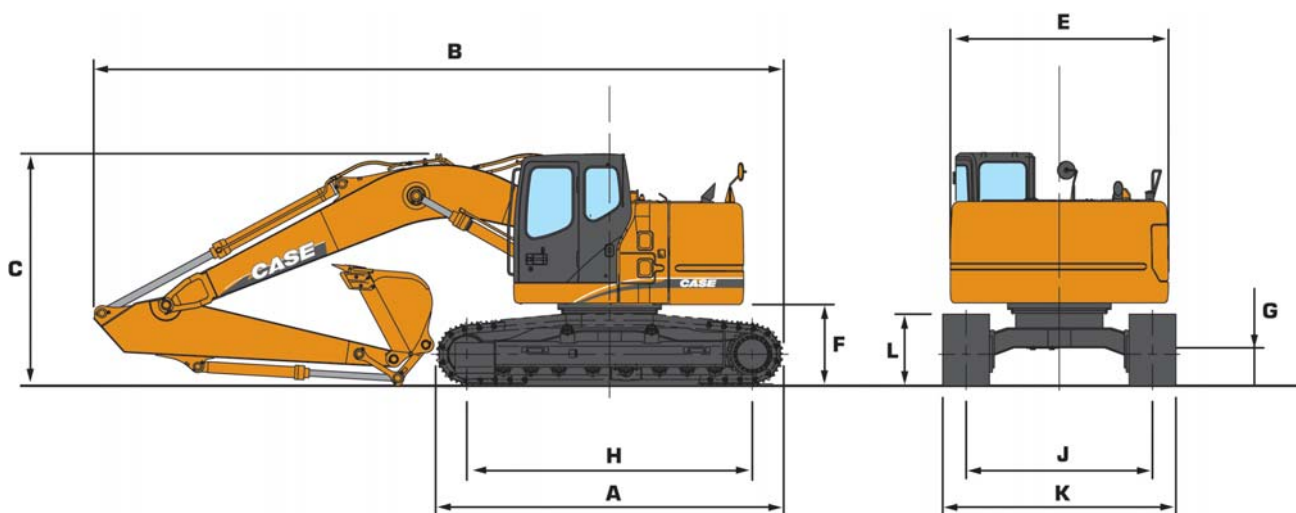
SAE capacity	l	450	600	760	840	920	1090	1250	1420
Width	mm	600	750	900	1000	1100	1200	1350	1500
Weight	kg	580	634	710	747	783	841	911	988

### ROCK BUCKET

SAE capacity	l	450	600	760	840	920	1090	1250
Width	mm	600	750	900	1000	1100	1200	1350
Weight	kg	601	655	730	766	802	858	928



# GENERAL DIMENSIONS CX225SR



## DIMENSIONS

		1.90 m Mono boom	2.40 m Mono boom	3.00 Mono boom	1.90 Mono boom w/dozer blade	2.40 Mono boom w/dozer blade	3.00 Mono boom w/dozer blade	
<b>A</b>	Overall length (without attachment)	mm	4460	4460	4460	4720	4720	4720
<b>B</b>	Overall length (with attachment)	mm	8970	8930	8850	9370	9330	9250
<b>C</b>	Overall height (with attachment)	mm	3080	3140	2970	3080	3140	2970
	Cab height (with vandal cover)	mm	2970	2970	2970	2970	2970	2970
<b>E</b>	Upper structure overall width	mm	2800	2800	2800	2800	2800	2800
	Swing (rear end)	mm	1720	1720	1720	1720	1720	1720
<b>F</b>	Clearance height under upper structure	mm	1020	1020	1020	1020	1020	1020
<b>G</b>	Minimum ground clearance	mm	460	460	460	460	460	460
<b>H</b>	Wheel base (Center to center of wheels)	mm	3660	3660	3660	3370	3370	3370
	Crawler overall length	mm	4460	4460	4460	4180	4180	4180
<b>J</b>	Track gauge	mm	2390	2390	2390	2200	2200	2200
<b>K</b>	Undercarriage overall width (with 600 mm shoes)	mm	2990	2990	2990	2800	2800	2800
<b>L</b>	Crawler tracks height	mm	920	920	920	920	920	920

## OPERATING WEIGHT

### CX225SR LC

Operating weight (kg) with  
75 kg operator, lubricants,  
full fuel tank, standard bucket

	1.90 m	2.40 m	3.0 m
600 mm steelstracks	23430	23500	23590
700 mm steelstracks	23720	23790	23870
800 mm steelstracks	24000	24070	24160

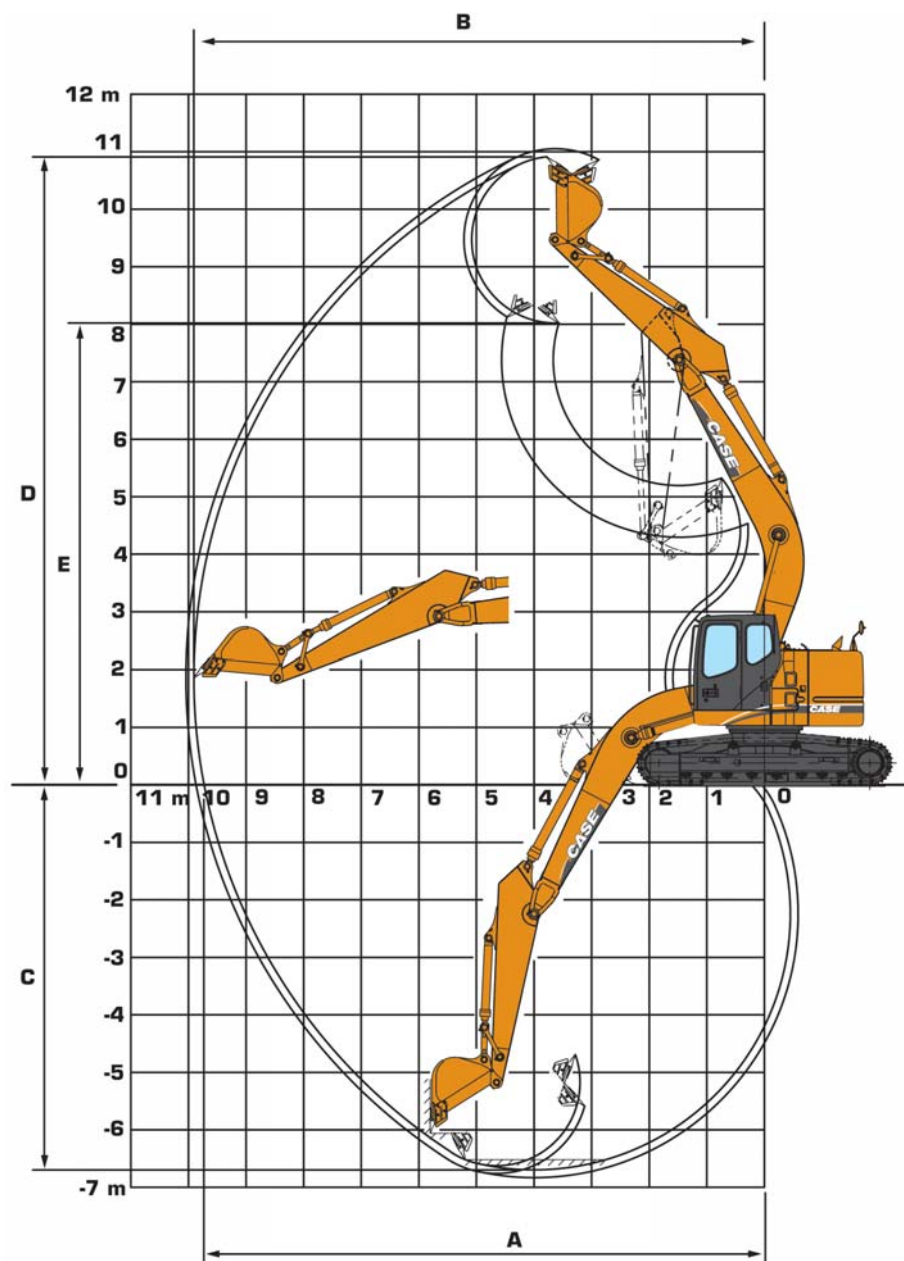
### CX225SR WITH BLADE

Operating weight (kg) with  
75 kg operator, lubricants,  
full fuel tank, standard bucket

	1.90 m	2.40 m	3.0 m
600 mm steelstracks	24330	24400	24490
700 mm steelstracks	24620	24690	24770
800 mm steelstracks	24900	24970	25060

# CX225SR

# PERFORMANCE DATA



		1.90 m Mono boom	2.40 m Mono boom	3.00 Mono boom	1.90 Mono boom w/dozer blade	2.40 Mono boom w/dozer blade	3.00 Mono boom w/dozer blade
Boom length	mm	5700	5700	5700	5700	5700	5700
Bucket radius	mm	1450	1450	1450	1450	1450	1450
Bucket wrist action		177°	177°	177°	177°	177°	177°
<b>A</b> Maximum reach at GRP	mm	8730	9180	9730	8730	9180	9730
<b>B</b> Maximum reach	mm	8920	9370	9910	8920	9370	9910
<b>C</b> Max. digging depth	mm	5620	6100	6700	5620	6100	6700
<b>D</b> Max. digging height	mm	10170	10520	10910	10170	10520	10910
<b>E</b> Max. dumping height	mm	7290	7630	8020	7290	7630	8020
Digging force with powerboost	kN	144.9	126	104	144.9	126	104
Breakout force with powerboost	kN	141	141	141	141	141	141



# LIFTING CAPACITY

Values are expressed in kilos

Front 360j	REACH													
	2.0 m	3.0 m	4.0 m	5.0 m	6.0 m	7.0 m	8.0 m	At max reach						m

## LC-chassis, monoboam, dipper 2.40 m, 600 mm shoes, bucket 1.0 m<sup>3</sup> 698 kg, max reach 8.02 m

7.0 m						5160*	5160*									5100*	5100*	5.58
6.0 m				5730*	5730*	5360*	5360*	5100*	4750							3750*	3720	6.86
5.0 m			7780*	7780*	6570*	6570*	5830*	5830*	5350*	4650	5030*	3550				3770*	3220	7.38
4.0 m			10240*	10240*	7790*	7790*	6510*	6040	5730*	4490	5220*	3470				3870*	2900	7.73
3.0 m			10130*	10130*	9170*	8110	7280*	5740	6180*	4310	5480*	3360				4050*	2710	7.94
2.0 m			10320*	7610	7980*	5450	6610*	4140	5540	3250	4470*	2610				4330*	2600	8.02
1.0 m					10930*	7290	8460*	5230	6930	3990	5440	3160				4440	2570	7.98
0 m			7140*	7140*	11010*	7130	8650*	5090	6810	3890	5360	3090				4550	2620	7.8
-1.0 m			9950*	9950*	10680*	7090	8540*	5020	6740	3830	5320	3050				4810	2770	7.49
-2.0 m	9660*	9660*	12470*	11760	10010*	7110	8120*	5010	6660*	3820	5340	3060				5310	3050	7.02
-3.0 m	13000*	13000*	10980*	10980*	8950*	7200	7310*	5070	5920*	3870						5410*	3560	6.37
-4.0 m	10690*	10690*	8890*	8890*	7350*	7350*	5930*	5210								5260*	4590	5.45
-5.0 m					4740*	4740*										4600*	4600*	4.11

## Std.-chassis with blade, blade up, dipper 2.40 m, 600 mm shoes, bucket 1.0 m<sup>3</sup> 698 kg, max reach 8.02 m

7.0 m						5160*	5160*									5100*	5100*	5.58
6.0 m				5730*	5730*	5360*	5360*	5100*	4490							3750*	3520	6.86
5.0 m			7780*	7780*	6570*	6570*	5830*	5830*	5350*	4390	5030*	3350				3770*	3040	7.38
4.0 m			10240*	10240*	7790*	7790*	6510*	5680	5730*	4230	4980	3270				3870*	2740	7.73
3.0 m			10130*	10130*	9170*	7550	7280*	5380	6180*	4060	4860	3160				3940	2550	7.94
2.0 m					10320*	1060	7980*	5100	6060	3890	4750	3060				3830	2450	8.02
1.0 m					10930*	6750	7860	4880	5900	3740	4640	2960				3790	2410	7.98
0 m			7140*	7140*	11010*	6600	7700	4740	5780	3640	4570	2900				3880	2460	7.8
-1.0 m			9950*	9950*	10680*	6550	7630	4680	5720	3580	4530	2860				4100	2600	7.49
-2.0 m	9660*	9660*	12470*	10700*	10010*	6580	7620	4670	5710	3580	4540	2870				4520	2860	7.02
-3.0 m	13000*	13000*	10980*	10850	8950*	6670	7310*	4730	5770	3630						5290	3340	6.37
-4.0 m	10690*	10690*	8890*	8890*	7350*	6830	5930*	4860								5260*	4290	5.45
-5.0 m					4740*	4740*										4600*	4600*	4.11

## Std.-chassis with blade, blade down, dipper 2.40 m, 600 mm shoes, bucket 1.0 m<sup>3</sup> 698 kg, max reach 8.02 m

7.0 m						5160*	5160*									5100*	5100*	5.58
6.0 m				5730*	5730*	5360*	5360*	5100*	4490							3750*	3520	6.86
5.0 m			7780*	7780*	6570*	6570*	5830*	5830*	5350*	4390	5030*	3350				3770*	3040	7.38
4.0 m			10240*	10240*	7790*	7790*	6510*	5680	5730*	4230	5220*	3270				3870*	2740	7.73
3.0 m			10130*	10130*	9170*	7550	7280*	5380	6180*	4060	5480*	3160				4050*	2550	7.94
2.0 m					10320*	7060	7980*	5100	6610*	3890	5720*	3060	4470*	2450		4330*	2440	8.02
1.0 m					10930*	6750	8460*	4880	6930*	3740	5910*	2960				4730*	2410	7.98
0 m			7140*	7140*	11010*	6600	8650*	4740	7080*	3640	5970*	2900				5250*	2460	7.8
-1.0 m			9950*	9950*	10680*	6550	8540*	4680	7010	3580	5850	2860				5330*	2600	7.49
-2.0 m			12470*	10700	10010*	6580	8120*	4670	6660*	3580	5430*	2870				5400*	2860	7.02
-3.0 m			10980*	10850	8950*	6670	7310*	4730	5920*	3630						5410*	3340	6.37
-4.0 m			8890*	8890*	7350*	6830	5930*	4860								5260*	4290	5.45
-5.0 m					4740*	4740*										4600*	4600*	4.11

\*Hydraulic capacity 87%.

# LIFTING CAPACITY

Values are expressed in kilos

Front 360j	REACH															
	2.0 m		3.0 m		4.0 m		5.0 m		6.0 m		7.0 m		8.0 m		At max reach	

## LC-chassis, monoboom, dipper 1.90 m, 600 mm shoes, bucket 1.0 m<sup>3</sup> 698 kg, max reach 7.54 m

7.0 m					6020*	6020*										5730*	5730*	4.95
6.0 m					6420*	6420*	5870*	5870*	5530*	4680						4770*	4280	6.3
5.0 m	12670*	12670*	8960*	8960*	7270*	7270*	6310*	6210	5720*	4580						4830*	3630	6.86
4.0 m			11710*	11710*	8490*	8440	6950*	5920	6060*	4430	5500	3430				5000*	3230	7.23
3.0 m					9790*	7850	7660*	5620	6460*	4250	5630	3330				5080	3000	7.46
2.0 m					10720*	7380	8250*	5340	6810*	4090	5520	3230				4910	2870	7.54
1.0 m					11010*	7140	8590*	5150	6890	3950	5430	3150				4890	2840	7.49
0 m					10820*	7060	8640*	5040	6790	3870	5370	3100				5040	2910	7.31
-1.0 m			10880*	10880*	10290*	7060	8370*	5000	6750	3840						5390	3100	6.98
-2.0 m	11470*	11470*	11280*	11280*	9440*	7130	7780*	5030	6380*	3860						5760*	3480	6.47
-3.0 m	10960*	10960*	9690*	9690*	8190*	7260	6760*	5130								5960*	4200	5.75
-4.0 m			7370*	7370*	6270*	6270*										5330*	5330*	4.72

## Std.-chassis with blade, blade up, dipper 1.90 m, 600 mm shoes, bucket 1.0 m<sup>3</sup> 698 kg, max reach 7.54 m

7.0 m					6020*	6020*										5730*	5730*	4.95
6.0 m					6420*	6420*	5870*	5870*	5530*	4410						4770*	4040	6.3
5.0 m	12670*	12670*	8960*	8960*	7270*	7270*	6310*	5840	5720*	4320						4830*	3420	6.86
4.0 m			11710*	11710*	8490*	7870	6950*	5560	6060*	4170	4930	3230				4660	3050	7.23
3.0 m					9790*	7290	7660*	5260	6190	4000	4830	3130				4350	2820	7.46
2.0 m					10720*	6840	7990	4990	6000	3840	4720	3040				4200	2700	7.54
1.0 m					11010*	6610	7770	4800	5860	3710	4630	2960				4180	2670	7.49
0 m					10820*	6530	7650	4700	5770	3620	4580	2900				4300	2730	7.31
-1.0 m			10880*	10650	10290*	6530	7610	4660	5730	3590						4590	2910	6.98
-2.0 m	11470*	11470*	11280*	10760	9440*	6600	7640	4690	5760	3610						5150	3260	6.47
-3.0 m	10960*	10960*	9690*	9660*	8190*	6730	6760*	4790								5690*	3930	5.75
-4.0 m			7370*	7370*	6270*	6270*										5330*	5330*	4.72

## Std.-chassis with blade, blade down, dipper 1.90 m, 600 mm shoes, bucket 1.0 m<sup>3</sup> 698 kg, max reach 7.54 m

7.0 m					6020*	6020*										5730*	5730*	4.95
6.0 m					6420*	6420*	5870*	5870*	5530*	4410						4770*	4440	6.3
5.0 m			8960*	8960*	7270*	7270*	6310*	5840	5720*	4320						4830*	3420	6.86
4.0 m			11710*	11710*	8490*	7870	6950*	5560	6060*	4170	5500*	3230				5000*	3050	7.23
3.0 m					9790*	7290	7660*	5260	6460*	4000	5690*	3130				5290*	2820	7.46
2.0 m					10720*	6840	8250*	4990	6810*	3840	5880*	3040				5500*	2700	7.54
1.0 m					11010*	6610	8590*	4800	7050*	3710	5990*	2960				5570*	2670	7.49
0 m					10820*	6530	8640*	4700	7090*	3620	5960*	2900				5650*	2730	7.31
-1.0 m			10880*	10650	10290*	6530	8370*	4660	6900*	3590						5730*	2910	6.98
-2.0 m			11280*	10760	9440*	6600	7780*	4690	6380*	3610						5760*	3260	6.47
-3.0 m			9690*	9690*	8190*	6730	6760*	4790								5690*	3930	5.75
-4.0 m			7370*	7370*	6270*	6270*										5330*	5330*	4.72

\*Hydraulic capacity 87%.

# LIFTING CAPACITY

Values are expressed in kilos

Front 360j	REACH															
	2.0 m		3.0 m		4.0 m		5.0 m		6.0 m		7.0 m		8.0 m		At max reach	

## LC-chassis, monoboom, dipper 3 m, 600 mm shoes, bucket 0.9 m<sup>3</sup> 651 kg, max reach 8.59 m

7.0 m								4450*	4450*	3950*	3950*					3520*	3520*	6.36
6.0 m								4680*	4680*	4540*	4540*	3600*	3600*			2390*	2390*	7.52
5.0 m					5620*	5620*	5160*	5160*	4820*	4720	4490	3600				2380*	2380*	8.0
4.0 m			8450*	8450*	6810*	6810*	5860*	5860*	5240*	4550	4820*	3500	3480*	2740	2430*	2430*	8.32	
3.0 m			11290*	11290*	8230*	8230*	6670*	5840	5740*	4360	5120*	3370	4280*	2670	2530*	2380	8.52	
2.0 m			9660*	9660*	9560*	7780	7470*	5520	6230*	4160	5430*	3250	4460	2590	2680*	2280	8.59	
1.0 m			7120*	7120*	10480*	7360	8090*	5250	6640*	3980	5420	2130	4380	2520	2900*	2250	8.55	
0 m			7780*	7780*	10880*	7100	8460*	5060	6780	3850	5320	3040	4320	2460	3210*	2280	8.39	
-1.0 m	6160*	6160*	9410*	9410*	10830*	6990	8530*	4940	6680	3760	5250	2980	4290	2430	3680*	2390	8.1	
-2.0 m	8300*	8300*	11640*	11490	10390*	6960	8300*	4900	6630	3720	5230	2960			4390*	2590	7.67	
-3.0 m	10680*	10680*	12160*	11610	9580*	7010	7730*	4920	6320*	3740	5090*	2990			5000*	2950	7.07	
-4.0 m	13430*	13430*	10380*	10380*	8320*	7130	6730*	5010	5360*	3820					4990*	3600	6.26	
-5.0 m	9740*	9740*	7860*	7860*	6370*	6370*	4970*	4970*							4770*	4770*	5.14	

## Std-chassis with blade, blade up, dipper 3 m, 600 mm shoes, bucket 0.9 m<sup>3</sup> 651 kg, max reach 8.59 m

7.0 m								4450*	4450*	3950*	3950*					3520*	3520*	6.36
6.0 m								4680*	4680*	4540*	4540*	3600*	3460			2390*	2390*	7.52
5.0 m					5620*	5620*	5160*	5160*	4820*	4460	4490*	3400				2380*	2380*	8.0
4.0 m			8450*	8450*	6810	6810*	5860*	5790	5240*	4290	4820*	3300	3480*	2580	2430*	2390	8.32	
3.0 m			11290*	11290*	8230*	7780	6670*	5480	5740*	4100	4880	3180	3900	2510	2530*	2230	8.52	
2.0 m			9360*	9360*	9560*	7230	7470*	5160	6090	3900	4750	3050	3810	2430	2680*	2140	8.59	
1.0 m			7120*	7120*	10480*	6810	7890	4900	5900	3730	4620	2940	3740	2360	2900*	2110	8.55	
0 m			7780*	7780*	10880*	6570	7680	4710	5750	3600	4520	2850	3680	2310	3210*	2140	8.39	
-1.0 m	6160*	6160*	9410*	9410*	10830*	6450	7550	4600	5650	3510	4460	2790	3640	2280	3580	2240	8.1	
-2.0 m	8300*	8300*	11640*	10430	10390*	6430	7510	4560	5610	3480	4440	2770			3880	2430	7.67	
-3.0 m	10680*	10680*	12160*	10550	9580*	6480	7530	4580	5630	3490	4470	2800			4400	2760	7.07	
-4.0 m	13430*	13430*	10380*	10380*	8320*	6600	6730*	4670	5360*	3570					4990*	3370	6.26	
-5.0 m	9740*	9740*	7860*	7860*	6370*	6370*	4970*	4850							4770*	4660	5.14	

## Std-chassis with blade, blade down, dipper 3 m, 600 mm shoes, bucket 0.9 m<sup>3</sup> 651 kg, max reach 8.59 m

7.0 m								4450*	4450*	3950*	3950*					3520*	3520*	6.36
6.0 m								4680*	4680*	4540*	4540*	3600*	3460			2390*	2390*	7.52
5.0 m					5620*	5620*	5160*	5160*	4820*	4460	4490*	3400				2380*	2380*	8.0
4.0 m			8450*	8450*	68100*	6810*	5860*	5790	5240*	4290	4820*	3300	3480*	2580	2430*	2390	8.32	
3.0 m			11290*	11290*	8230*	7780	6670*	5480	5740*	4100	5120*	3180	4280*	2510	2530*	2230	8.52	
2.0 m			9360*	9360*	9560*	7230	7470*	5160	6230*	3900	5430*	3050	4860*	2430	2680*	2140	8.59	
1.0 m			7120*	7120*	10480*	6810	8090*	4900	6640*	3730	5680*	2940	4990*	2360	2900*	2110	8.55	
0 m			7780*	7780*	10880*	6570	8460*	4710	6910*	3600	5840*	2850	5040*	2310	3210*	2140	8.39	
-1.0 m			9410*	9410*	10830*	6450	8530*	4600	6970*	3510	5850*	2790	4370*	2280	3680*	2240	8.1	
-2.0 m			11640*	10430	10390*	6430	8300*	4560	6800*	3480	5640*	2770			4390*	2430	7.67	
-3.0 m			12160*	10550	9580*	6480	7730*	4580	6320*	3490	5090*	2800			5000*	2760	7.07	
-4.0 m			10380*	10380*	8320*	6600	6730*	4670	5360*	3570					4990*	3370	6.26	
-5.0 m			7860*	7860*	6370*	6370*	4970*	4850							4770*	4660	5.14	

\*Hydraulic capacity 87%.

# CX75SR-CX135SR CX225SR Tier 3

## STANDARD EQUIPMENT & OPTIONS

### STANDARD EQUIPMENT

#### Engine control

- Common rail engine Tier III European Standards
- Electronic control of the injection system (CX75SR mech. control)
- Automatic engine pre-heating
- Selectable one touch engine return to idle
- Exhaust Gas Recirculator
- Emergency stop
- Fuel filter with water separator
- Hydraulic control
- N-working mode (CX75SR) & Economy mode (CX135SR, CX225SR)
- Power boost control (CX225SR)
- Swing brake
- High performance "Super Fine" synthetic fiber hydraulic filter (high contamination catch)
- Hydraulic safety valves on boom and dipper
- Attachment cushion control
- 2 travel speeds
- Travel speed auto downshifting (CX135SR, CX225SR)

#### Operator environment

- High visibility cab with safety glass
- Adjustable et retractable armrest console with safety lever
- High performance heating system
- Cup holder & ashtray
- High visibility side monitor display with automatic brightness
- hour meter and fuel meter gauges
- Integrated diagnostic system

- Anti-theft device
- High capacity shock absorbers on cab with 4 points fluid mountings
- Windscreen with lockable opening
- Windscreen washer and wiper
- Removable lower front windscreen with storage location in cab
- High visibility glass cab roof window
- ISO control pattern low effort & short joysticks
- Adjustable sun visor
- Washable cab floor mat
- 3 rear safety mirrors
- literature compartement
- 12 V and 24 V DC accessory sockets
- Hammer/Shear change selected from the cab (when circuit fitted)
- Fore & aft adjustment of the whole seat & console

#### Electrical system

- 24V system with 12V and 24V socket in the cab
- Water proof connectors
- Horn
- Working light on the cab and boom

#### Equipment

- EMS (Extended Maintenance System) pins and bushings as Standard (1000 hours lubrication interval for all, except buckets pins at 250 hours)
- Sealed and lubricated tracks
- Track guides (front)
- Pre-disposal for the optional cab protection

#### Operator seat

- Fully adjustable low frequency mechanical suspension seat including double acting hydraulic damper
- Weight adjustment
- Height/fore & aft adjustment
- Adjustable head rest

- Adjustable seat back angle
- Adjustable arm rest
- Safety belt

### OPTIONS

- Bucket/ clamshell hydraulic circuit
- Low flow circuit (also adjustable version)
- Hammer hydraulic circuit
- Hammer/shear (Highflow-) hydraulic circuit (depending on the model)
- Double acting circuit (depending on the model)
- Additional track guides (double and front)
- Track width (450 mm - 800 mm width, depending on the model)
- Heavy duty rubber link chain
- Windscreen protections (FOPS and stoneguard)
- FOPS cab roof protection
- Air conditioning system
- GPS (Global Positioning System) by satellite
- Centralized greasing system automatically actuated by an electrical grease pump
- Electrical refuel pump

Standard and optional equipment shown can vary by country.

#### Worldwide Case Construction Equipment Contact Information

##### EUROPE:

via Plava, 80  
10135 TORINO - ITALIA

##### AFRICA/MIDDLE EAST/CIS:

Riva Paradiso 14  
6902 Paradiso - SWITZERLAND

##### NORTH AMERICA/MEXICO:

700 State Street  
Racine, WI 53404 U.S.A.

##### LATIN AMERICA:

Av. General David Sarnoff 2237  
32210 - 900 Contagem - MG  
Belo Horizonte BRAZIL

##### ASIA PACIFIC:

Unit 1 - 1 Foundation Place - Prospect  
New South Wales - 2148 AUSTRALIA

##### CHINA:

No. 29, Industrial Premises, No. 376.  
De Bao Road, Waigaoqiao Ftz, Pudong,  
SHANGHAI, 200131, P.R.C.

**CASE** Customer Assistance  
00800-2273-7373

The call is free from a land line. Check in advance with your Mobile Operator if you will be charged.

**NOTE:** Standard and optional fittings can vary according to the demands and specific regulations of each country. The illustrations may include optional rather than standard fittings - consult your Case dealer. Furthermore, CNH reserves the right to modify machine specifications without incurring any obligation relating to such changes.

CE

Conforms to directive 98/37/CE

#### CASE Construction Equipment

CNH UK Ltd  
Unit 4,  
Hayfield Lane Business Park,  
Field Lane, Auckley,  
Doncaster,  
DN9 3FL  
Tel. 00800-2273-7373  
Fax +44 1302 802829

[www.casece.com](http://www.casece.com)

**CASE**  
CONSTRUCTION