

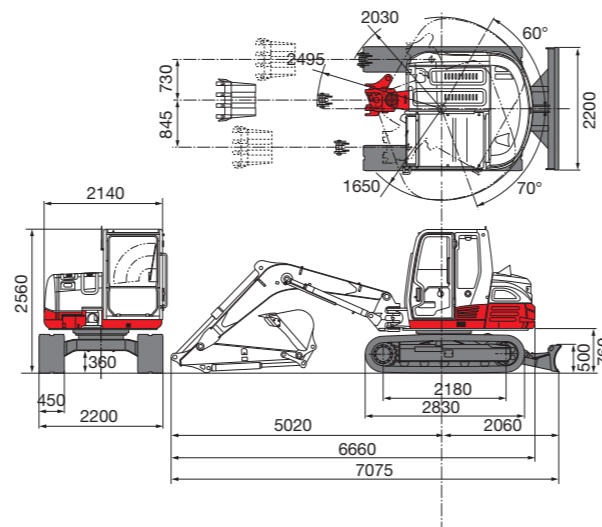
**TB285 SERVICEABILITY**

The new styled engine hood and side cover provide unparalleled access to engine and hydraulic components simplifying all aspects of machine maintenance - all accessible at ground level.

- Hydraulic tank sight gauge, hydraulic control valve and fuel tank gauge hoses.
- A smaller inspection panel for daily checks and access to refuelling pump.
- The rear bonnet provides access to the engine service points.
- Automatic fuel bleed system.



• Side-by-side radiator and hydraulic oil cooler ensures fresh cool air reaches each cooler improving efficiency and component life. The A/C condenser is mounted on a hinged frame - decreasing inspection and cleaning time.



**TB285 PERFORMANCE & OPERATION**

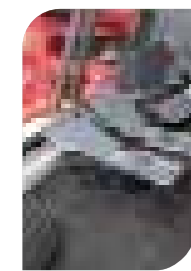
The conveniently located LCD gauge panel provides operating settings including the hour and trip meter.



From the comfort of the cab operators can adjust auxiliary hydraulic flows to match all types of attachments, with three primary modes from 0-100%.

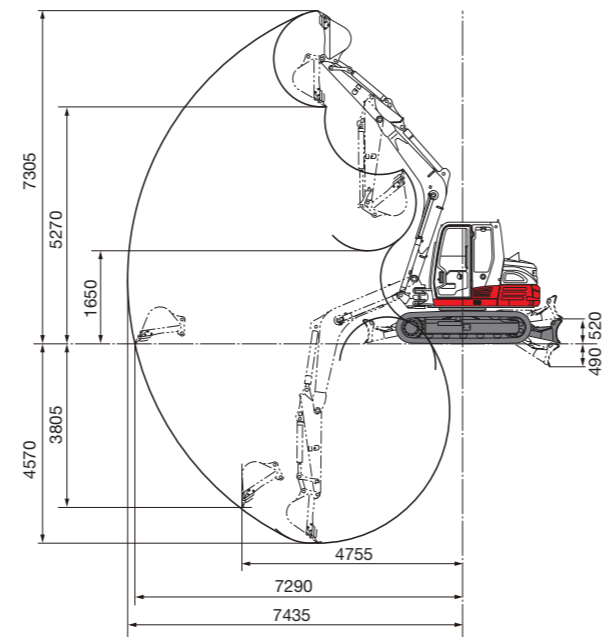
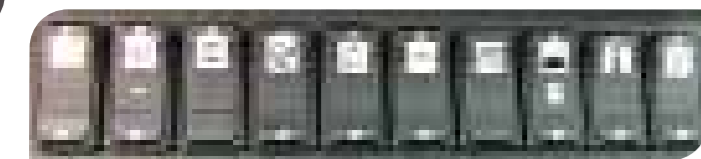
The auxiliary detent switch prevents less operator fatigue when using continuously operating attachments. Dual proportional control as standard.

Automatic idle reduces fuel consumption with less noise and longer engine lifetime. The Eco Mode optimises engine and hydraulic system for improved fuel economy.

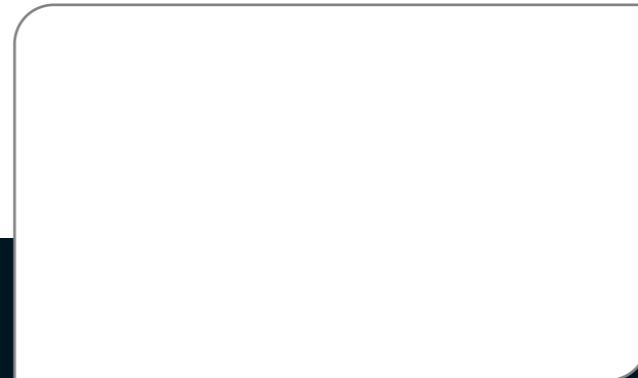


Load sensing hydraulic system provides greater available oil flow for faster cycle times and increased efficiency.

Fold away foot pedals and lockable offset foot control pedal along with ergonomically positioned control switches.



**For more information locally**  
call us direct, or contact:



Takeuchi Mfg (UK) Ltd, Unit E2B Kingsway Business Park,  
John Boyd Dunlop Drive, Rochdale, Lancashire OL16 4NG  
Tel: 01706 657 722 Fax: 01706 657 744

Southern Depot at 20 Colthrop Business Park  
Colthrop Lane, Thatcham, Newbury, Berks RG19 4NB  
Tel: 01635 877 196 Fax: 01635 877 195

www.takeuchi-mfg.co.uk Email: sales@takeuchi-mfg.co.uk

SPECIFICATIONS	TB285
<b>Engine</b>	
Make	Yanmar
Model	4TNV98T
Rated Output (kW)/RPM	49.6/2000
Maximum Torque (Nm)	278-302
Cylinders	4/4 cycle
Displacement (cc)	3318
Electrical System	12volt - 3.0kW
<b>Dimensions &amp; Weight</b>	
Machine Weight (kg)	8465/8700
Length (Transporting) (mm)	6660
Width (mm)	2200
Height (mm)	2565/2560
Ground Clearance (mm)	385/360
Dozer Blade (W x H) (mm)	2200 x 500
<b>Swing System</b>	
Min Front Offset Swing (mm)	2030
Tail Swing (mm)	1650
<b>Operating Information</b>	
Max Digging Depth (mm)	4570
Max Dump Height (mm)	5270
Max Reach at Ground Level (mm)	7290
Max Vertical Dig Depth (mm)	3805
Max Bucket Digging Force (Kn)	59.1
Max Arm Digging Force (Kn)	36.3Kn
<b>Hydraulic System</b>	
Set Pressure (bar)	27.5 x 1 24.0 x 1 3.4 x 1
Pump Type	Variable (P1) + Gear (P2 P3)
Hydraulic Pump Flow Aux port (l/min)	160 x 1 + 60.6 x 1 + 16 x 1
Aux Flow (l/min)	100
<b>Swing System</b>	
Boom Swing Angle (L/R)	70°/60°
Slew Speed (rpm)	10.3
Slew Motor	Axial Piston
Slew Brake	Disc
<b>Undercarriage</b>	
Traction Motor	Axial Piston
Traction Drive	Planetary
Traction Brake	Disc
Track Width (mm)	450
Ground Contact Length (mm)	2210/2180
Ground Pressure (kpa)	37.9/39.4
Travel Speed (K/Ph)	2.6-5/2.5-4.8
Maximum Gradeability	30
<b>Capacities</b>	
Hydraulic System (l)	140
Fuel Tank (l)	128
Engine Lubrication (l)	10.2
Cooling System (l)	14

**OPTIONS:** Geo-Grip Track, Wide Steel Tracks, Takeuchi Hydraulic Breaker, Travel Alarm, Cabin Work Light, Front Guard, Arm Holding Valve, Hydraulic Quick Hitch.

Takeuchi machines come with a 2 year/2000 hours warranty as standard. Warranty exceptions to 1 year: fuel injection systems, electrical components, paint work.

In accordance with our established policy of constant improvement, we reserve the right to amend these specifications at any time without notice. Photographs shown may feature non-standard equipment.



**POWERFUL  
COMPACT  
EXCAVATOR**



# Takeuchi's New 8.5 tonne Excavator

## - brings powerful excavating and breakout force in a compact machine size.

The TB285 combines all the proven characteristics of Takeuchi excavators - smooth hydraulics, powerful machine performance and good serviceability into a larger sized machine. The newly designed TB285 meets the growing demand for a compact Takeuchi in the 8-10-tonne weight class.

The TB285 comes complete with a new turbocharged engine that develops more power and greater torque along with a well proven, high performance hydraulic system with improved power, cycle times and efficiency.

The new model is part of Takeuchi's on-going commitment to machine development, environmental efficiency, operator comfort and safety and improved machine ergonomics.

### MAXIMUM ALL DAY COMFORT WITH A NEW STYLED CAB

A larger stylish cab with roof guard as standard, ROPS/FOPS, improved visibility and easier operator accessibility.

Standard features include; top window with sun shade, automatic air conditioning/climate control, MP3 socket, adjustable high back suspension seat and adjustable arm rests.



### ROBUST SITE PROTECTION

Cast iron wraparound with 100% steel panels. Built-in counterweight ensures component protection and superior stability when digging in tough terrain.

Hydraulic hoses positioned to prevent damage from attachments.

Dual boom cylinders with hose burst check valve provide added lifting power and additional clearance for bucket and attachments.



### REDUCED TAIL SWING

The compact TB285 features a shorter than average tail swing compared to conventional 8.5-tonne excavators.

Just 1650mm tail swing radius combined with rounded corners and enhanced visibility helps minimise potential machine damage in restricted areas.



### HEAVY DUTY DOZER DESIGN

A heavy duty dozer (500mm high) with increased operating range comes as standard for efficient on-site finishing and grading with a well protected cylinder.

Two-speed tracking with auto step down when dozing.



### POWERFUL BREAKOUT FORCE & INCREASED REACH

The TB285 features 8.41% more arm breakout force compared to a TB175 combined with 8.38% more bucket breakout force.

The standard long arm provides a ground level reach of 7290mm and digging depth of 4570mm.

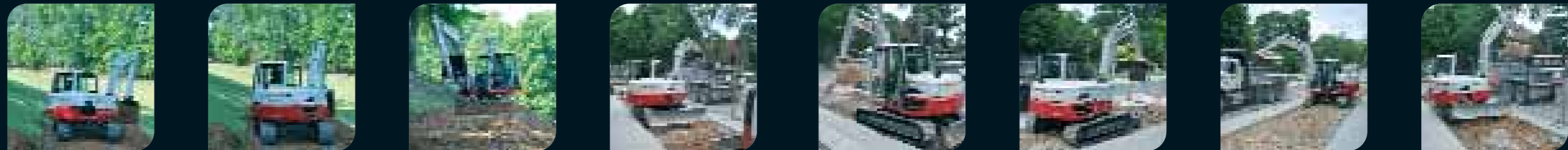
Boom holding valves minimises cylinder drift and helps maintain load control in the event of a hose failure. The lift alarm can be turned off when not needed but provides an audible warning when the boom is reaching hydraulic lifting capacity.



### RELIABLE TRACK DESIGN

Triple flange rollers, maintenance free bearings and larger shaft all add to tracking performance for rough terrain to provide many hours of continuous service.

Automatic track tensioning system - minimises operator downtime and maximises longevity of tracks and rollers.



With a reputation for reliability, Japanese build quality makes all the difference.